

Signature Series

Maximum Resilience Broadcast Audio



UBBU Quick Start Guide

Bi-directional Unbalanced to Balanced Converters

UBBU 2 & 4 : 1 & 2 Stereo Channel Converters



USER MANUAL

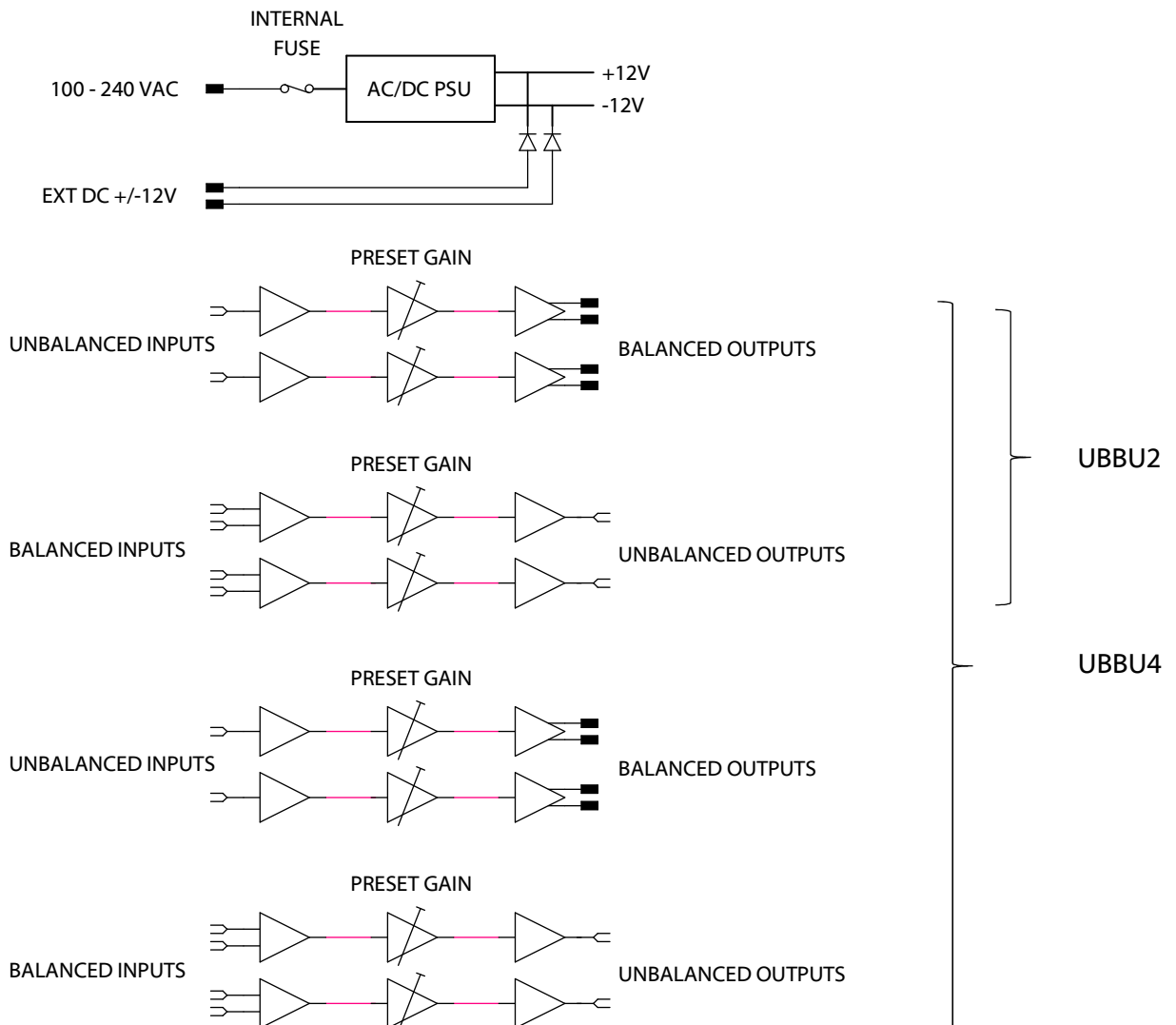
Full User Manual Can Be Downloaded From:

www.glenSound.co.uk/Manuals/Signature/UBBU Manual.pdf



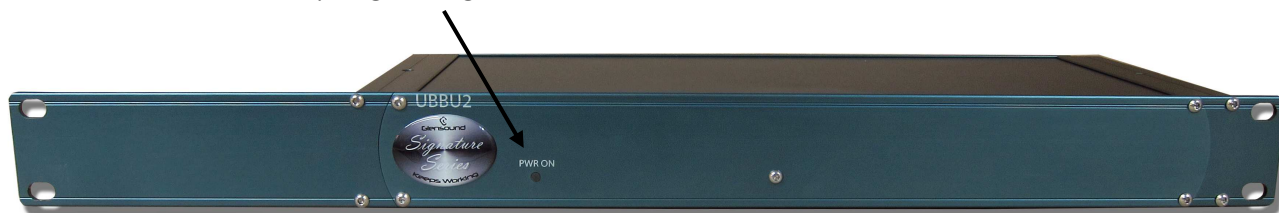
THIS UNIT MUST BE EARTHED

AUDIO BLOCK DIAGRAM:



USER CONTROLS

1. POWER ON LED

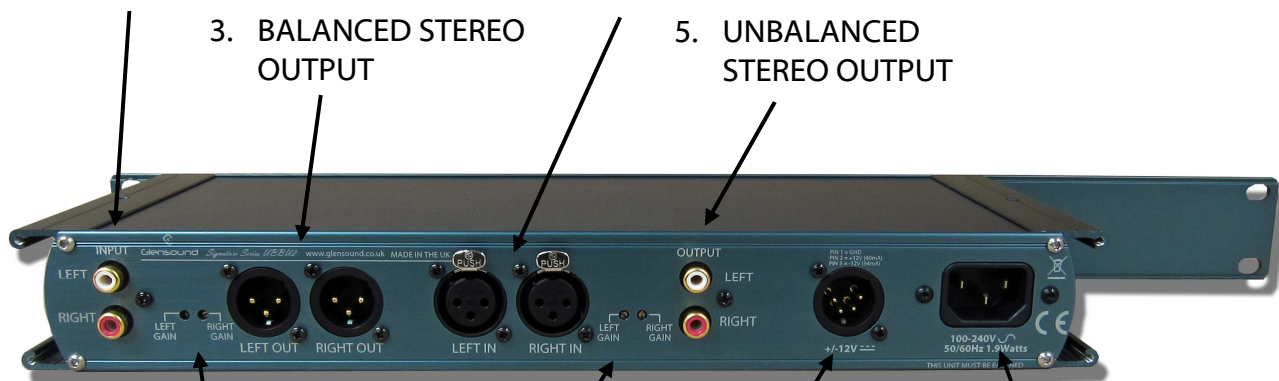


2. UNBALANCED STEREO INPUT

4. BALANCED STEREO INPUT

3. BALANCED STEREO OUTPUT

5. UNBALANCED STEREO OUTPUT

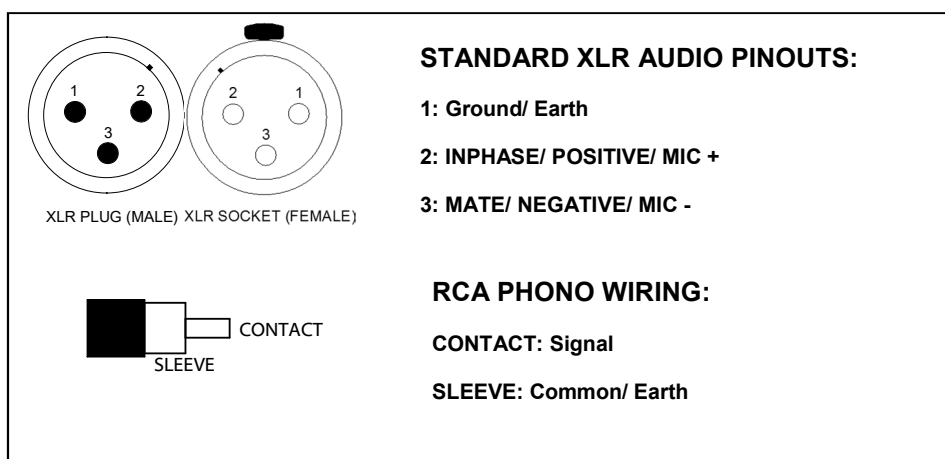


6. UNBALANCED INPUT GAIN/ LOSS

7. UNBALANCED OUTPUT 2 GAIN/ LOSS

8. EXTERNAL DC IN

9. AC MAINS INPUT



Glensound
 6 Brooks Place, Maidstone
 Kent, UK, ME14 1HE
 Tel: +44 (0)1622 753662
www.glensound.co.uk

